

► **Code Number**

3780115

► **SPECIFICATIONS**

Description

Exposed, Battery Powered, Side Mount Sensor Activated High Efficiency Water Closet Flushometer for floor mounted or wall hung top spud bowls.

Flush Cycle

1.28 gpf/4.8 Lpf

Specifications

Quiet, Exposed, Diaphragm Type, Closet Flushometer for either left or right hand supply with the following features:

- 1" I.P.S. Screwdriver Bak-Chek® Angle Stop with Vandal Resistant Stop Cap
- Spud Coupling and Spud Flange for 1½" Top Spud
- Sweat Solder Adapter with Cover Tube and Cast Wall Flange
- Low Consumption flush accuracy
- Vacuum Breaker Flush Connection
- "User in View" Flashing LED
- No External Volume Adjustment to Ensure Water Conservation
- Infrared Sensor Range Adjustment Screw and Reset Button
- Stop Seat and Vacuum Breaker Molded from PERMEX® Rubber Compound for Chloramine resistance
- Four (4) Size C Batteries included
- ADA Compliant OPTIMA® Battery Powered Infrared Sensor for automatic "No Hands" operation
- Angled Sensor Window
- Manual Override Flush Button
- "Low Battery" Flashing LED with Optional Audio Tone
- Optional 24-Hour Sentinel Flush
- High Chloramine Resistant PERMEX® Synthetic Rubber DFB Dual Filtered Bypass Diaphragm
- Chrome Plated Metal Infrared Sensor Housing

Valve Body, Cover, Tailpiece and Control Stop shall be in conformance with ASTM Alloy Classification for Semi-Red Brass. Valve shall be in compliance with the applicable sections of ASSE 1037 and ANSI/ASME 112.19.2.

Variations

- DFB - Dual Filtered Bypass Diaphragm
- Bumper on Angle Stop (for open front seat without cover)

Accessories (Sold Separately)

- See Accessories Section and OPTIMA® Accessories Section of the Sloan catalog for details on these and other OPTIMA® Flushometer variations.

Fixtures

- Consult factory for matching Sloan brand fixture options.

► **ELECTRICAL SPECIFICATIONS**

Control Circuit

- Solid State
- 6 VDC Input

Indicator Lights

- User in View

Sensor Type

- Infrared Convergence Type Object Lock Detection



► **FEATURES**

Automatic Operation

- Sloan OPTIMA SMO equipped Flushometers provide the ultimate in sanitary protection and automatic operation. There is no need for AC hookups or wall alterations. The Flushometer operates by means of a battery powered infrared sensor. Once the user enters the sensor's effective range and then steps away, the Side Mount Unit initiates the flushing cycle to flush the fixture.

Economical

- Automatic operation provides water usage savings over other flushing devices. Reduces maintenance and operation costs.

Hygienic

- User makes no physical contact with the Flushometer surface except to initiate the Override Button when required. Helps control the spread of infectious diseases.

► **Compliance & Certifications**



This space for Architect/Engineer Approval

► **FUNCTION SETTINGS**

Sensor Range

- Nominal 8" - 54" (203 mm- 1372 mm), Factory Set at 24" (610 mm)

Battery Type

- (4) C Alkaline

Battery Life

3 Years @ 4,000 flushes/month

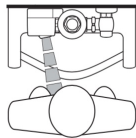
Operating Pressure

- 15 - 100 psi (104 - 689 kPa)

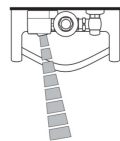
► OPERATION



1. A continuous, invisible light beam is emitted from the object lock infrared sensor.



2. As the user enters the beam's effective range, 8" to 54" (203 mm - 1372 mm), the Object Lock Infrared Sensor senses the user



3. When the user steps away from the object lock Infrared sensor, the circuit initiates the flushing cycle to flush the fixture. The circuit then automatically resets and is ready for the next user.

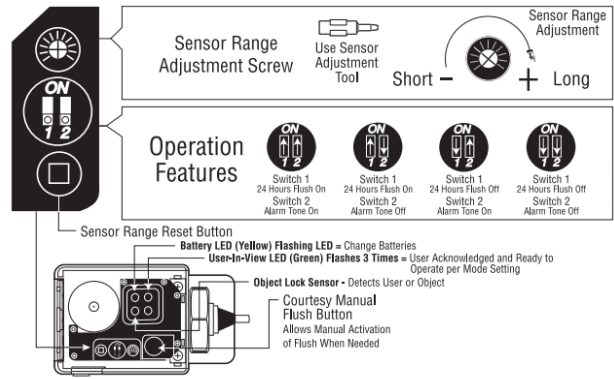
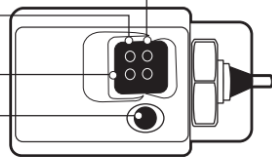
► VISUAL INDICATOR GUIDE

USER-IN-VIEW L.E.D. — Green light flashes 3 times after 5 second delay when a user is in view. The green light flashes constantly when a user is in view during the 7 minute start up sequence.

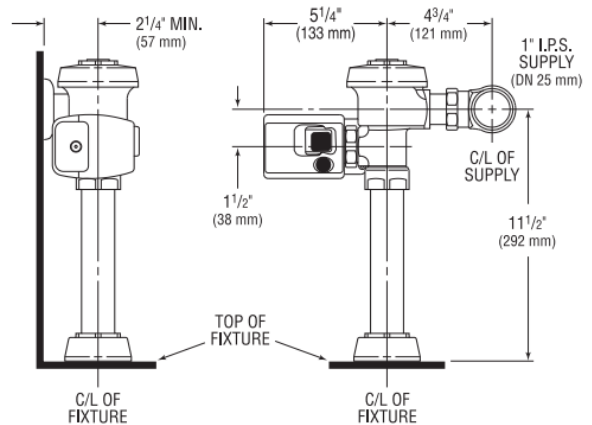
BATTERY L.E.D. — Yellow light flashes indicating it is time to replace batteries with four (4) new Type "C" batteries.

OBJECT LOCK SENSOR — Detects user or object.

COURTESY MANUAL FLUSH BUTTON — Allows manual activation of flush when needed.



► ROUGH-IN



Includes EBV-89-A Side Mount Operator